

## Introduction

LED Neon flex rope is comprised of solid-state Light Emitting Diodes (LED) in series housed by an inner plastic extrusion core. An UV stable outer plastic jacket further protects the inner core. The plastic jacket will be the translucent colored and the LED will be Red, Orange, Blue, Yellow, Green and White. Base our technical; we produce the LED Neon flex rope with a continuously color linear effect as well as Glass Neon. Compared with glass neon, it is easier to cut and it is flexible can be bent into whatever angles by hand, installation can be within minutes and most important, it gives no hot spot on appearance

Our LED Neon Rope is made of an inner plastic extrusion that houses the series of LED. An outer plastic jacket further protects the inner tube.

## Advantage

- Flexibility
- Energy Saving
- Easy to transport
- Low Heat & Safety
- Long Life and Durability
- Linear and Continuous Light effect
- Power & Lamination

## Basic Features

- Input Voltage: 12VDC, 24VDC,
- Working Am: 15-17mA
- Illumination : 385 lm/metr
- LED Number: 120led/m 2835 Epistar led chips
- Color choice: Red,Green,Blue,Yellow, White, Warm White
- Beam Angle: 120°
- Operation Temp: -40°C-- +80°C
- Body Temp: 40°C -- 60°C
- IP Rank: IP 68(According Accessories Quality)
- Shell Material: Integration D shaped PVC
- Life Span: 50,000-80,000 hours

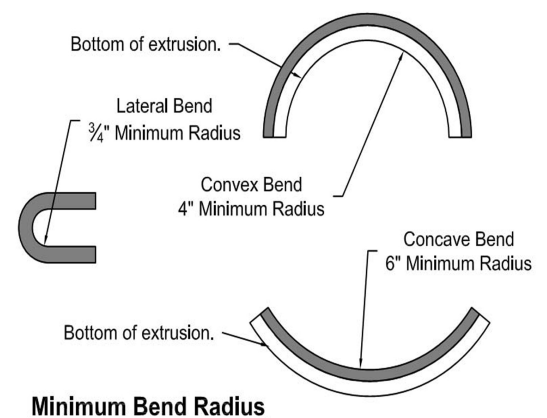
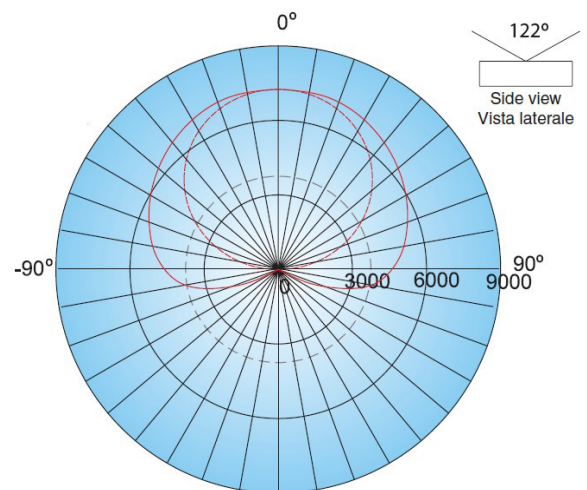
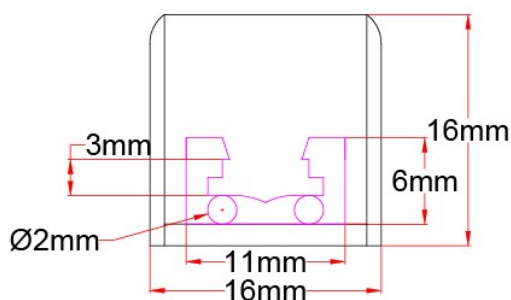
## Warranty

- 2 Years Warranty limited

## Accessories

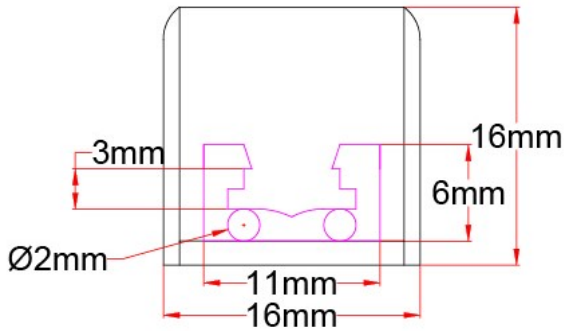
- Power cord, Male-male Plug
- U Aluminum Channel or U PVC Channel
- Metal Pin, Connector, Heat Shrink Cap, End Cap, Controller

## Products Size



## Parameter

### 16X16mm 120led/m (Square & Circle Cover)



Color	Item	Red, Yellow, Orange	Blue, Green, White, Warm White	Pink
12VDC	Mini Segment	10cm	10cm	10cm
	Power(W/M)	8.0W	8.0W	8.0W
	Max Work Length	10M	10M	10M
24VDC	Mini Segment	10cm	10cm	10cm
	Power(W/M)	8.0W	8.0W	8.0W
	Max Work Length	20M	20M	20M