

Spotlight

Spotlight PHJ-SL230

Product Details



IP Rating
IP 68



Body Material
Stainless Steel 316/304



Lens Material
8mm thickness
tempered glass



Light Source
CREE



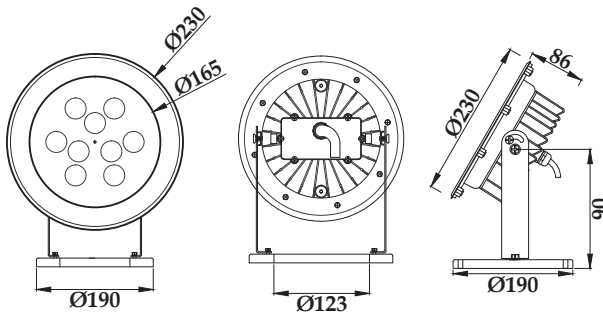
Color Temperature
2800K 4000K
6000K



Emitting Color
RGB RGBW



Optional Dimmer
DALI 0/1-10V



Model	PHJ-SL230	Power	18W 25W 35W	Voltage	12V/24V AC/DC	Beam Angle	15° 30° 45° 60°
--------------	-----------	--------------	-------------	----------------	---------------	-------------------	-----------------

Spotlight PHJ-SL120 PHJ-SL120-1

Product Details



IP Rating
IP 68



Body Material
Stainless Steel 316/304



Lens Material
8mm thickness
tempered glass



Light Source
CREE



Color Temperature
2800K 4000K
6000K



Emitting Color
RGB RGBW



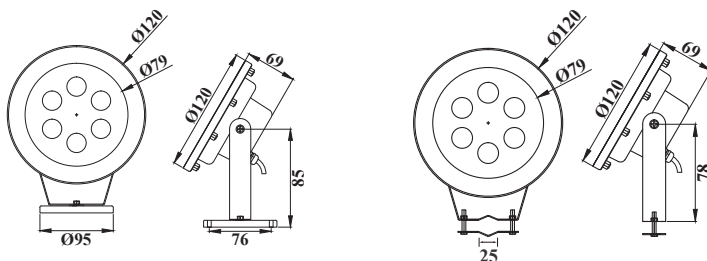
Optional Dimmer
DALI 0/1-10V



PHJ-SL120



PHJ-SL120-1



Model	Power	Voltage	Beam Angle
PHJ-SL120	6W	12V/24V AC/DC	15° 30° 45° 60°
PHJ-SL120-1	6W	12V/24V AC/DC	15° 30° 45° 60°